



Position Sensing Water-Cooled Thermopile Sensors to 5 kW

Sensors Useful for Non-Visible Beams

These unique position sensing thermopiles display the position of the incident beam on the sensor disk, in addition to measuring power when used with the LabMax and LabMax-Pro meters. This information allows the user to safely and precisely align the sensor and the beam being measured. This is particularly useful for non-visible beams.

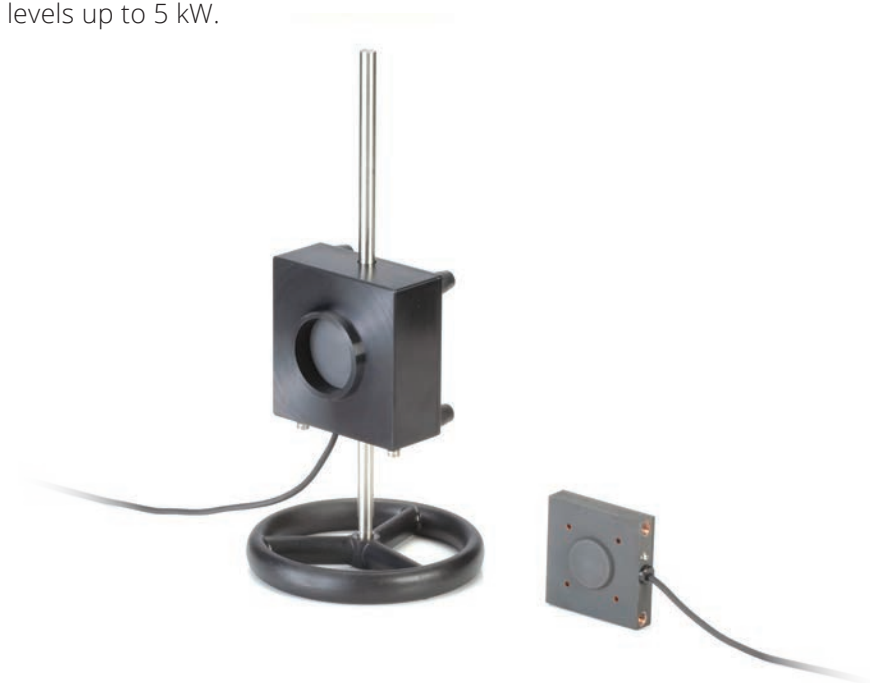
Water-cooling and careful thermal management within these sensors enable them to deliver the ultimate in high power handling capacity. They can capably measure industrial CO₂ and Nd:YAG lasers at power levels up to 5 kW.

FEATURES

- 100 W to 5000 W range
- Broadband coatings
- 0.25 to 10.6 μm spectral range
- Compact water-cooled design
- Large 38 mm or 55 mm diameter aperture
- Excellent for high-power CO₂ and Nd:YAG lasers

APPLICATIONS

- Medical
- Scientific
- Industrial
- General Laser Power Measurement to 5kW



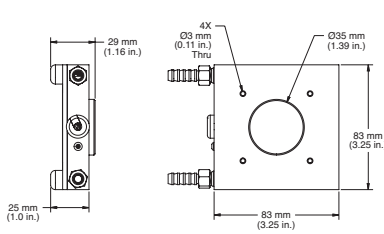
Position Sensing Water-Cooled Thermopile Sensors to 5 kW Datasheet

SPECIFICATIONS	BeamFinder	LM-1000	LM-2500	LM-5000
Wavelength Range (µm)	0.3 to 10.6		0.25 to 10.6	
Power Range (W)	100 to 1000		100 to 2500	100 to 5000
Resolution (W)	1			
Maximum Power Density ¹ (kW/cm ²)	1 to 2.5			
Maximum Energy Density (mJ/cm ²)	600, 1064 nm, 10 ns			
Detector Coating	Broadband			
Active Area Diameter (mm)	35	38	56	
Calibration Uncertainty (%) (k=2)	±5			
Calibration Wavelength (nm)	10.6			
Cooling Method	Water-cooled			
Cable Type	LM DB-25			
Cable Length (m)	6			
Part Number	1098427	1098409	1098437	1098421

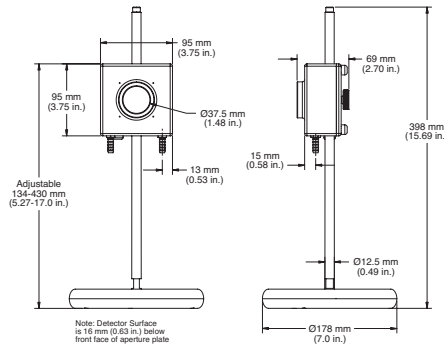
¹ The damage resistance of the coating is dependent upon the beam size and profile, the average power level, and the water flow rate. Contact Coherent or your local representative for details related to your application.

MECHANICAL SPECIFICATIONS

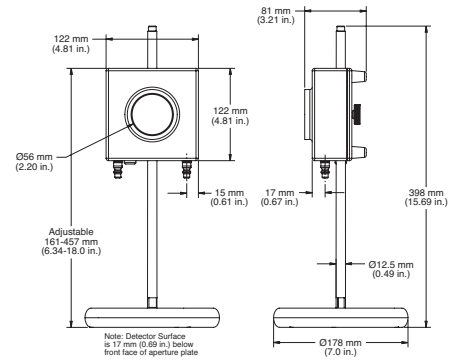
BeamFinder



LM-1000



LM-2500/LM-5000



Coherent, Inc.,
5100 Patrick Henry Drive Santa Clara, CA 95054
p. (800) 527-3786 | (408) 764-4983
f. (408) 764-4646

tech.sales@coherent.com www.coherent.com



扫一扫
添加客服微信



上海彩萤科技有限公司
咨询热线: 18612117394
邮箱: contact@colour-fly.com
www.colour-fly.com

Coherent follows a policy of continuous product improvement. Specifications are subject to change without notice. Coherent's scientific and industrial lasers are certified to comply with the Federal Regulations (21 CFR Subchapter J) as administered by the Center for Devices and Radiological Health on all systems ordered for shipment after August 2, 1976.

Coherent offers a limited warranty for all Thermopile Sensors. For full details of this warranty coverage, please refer to the Service section at www.coherent.com or contact your local Sales or Service Representative.
MC-010-21-0M0621 Copyright ©2021 Coherent, Inc.